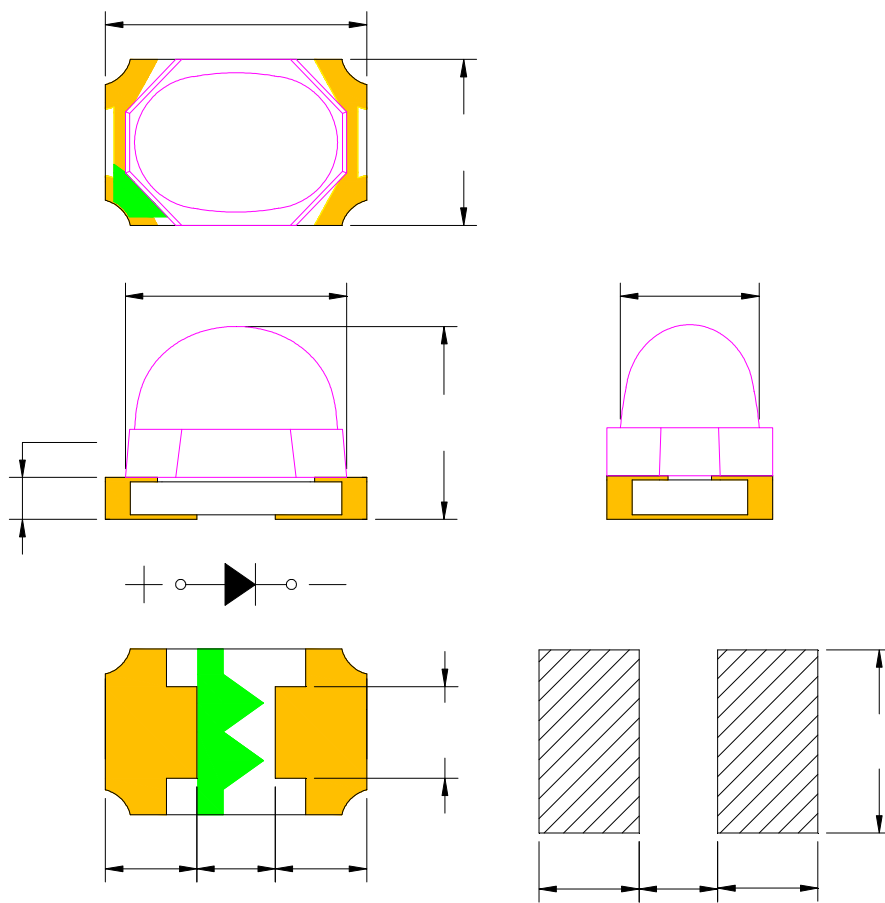




## Features

## Package Dimension




Notes:

### Absolute Maximum Ratings at Ta=25


**1. Storage and operating:**

**2. Peak Forward Current:**

Condition for is IFP pulse: Pulse Width 100 $\mu$ s and duty 1%.

**3. Caution in ESD:**



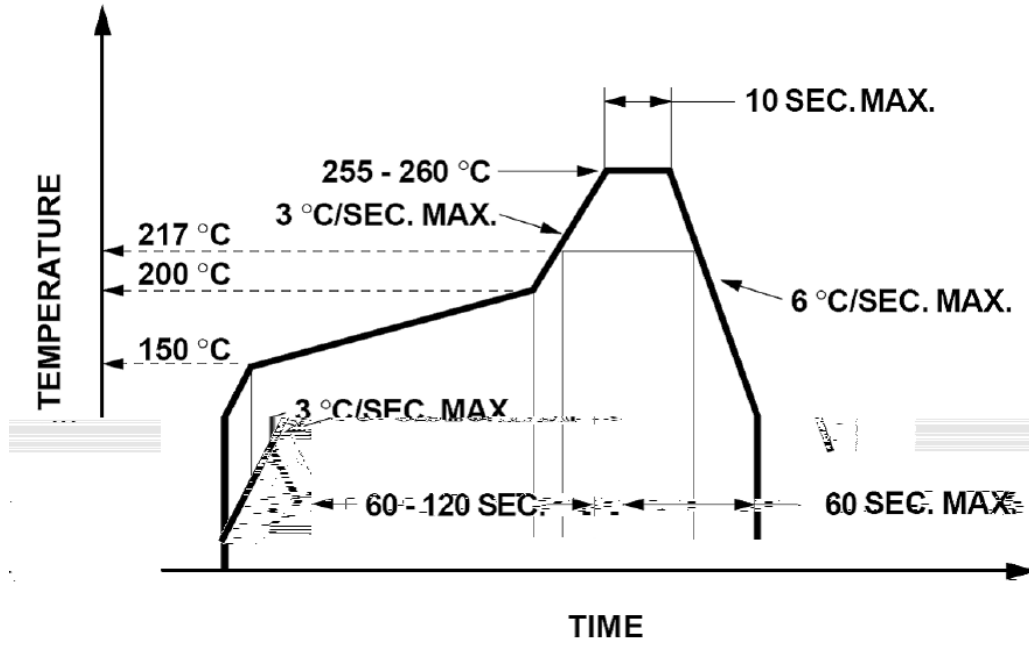


L









°C

