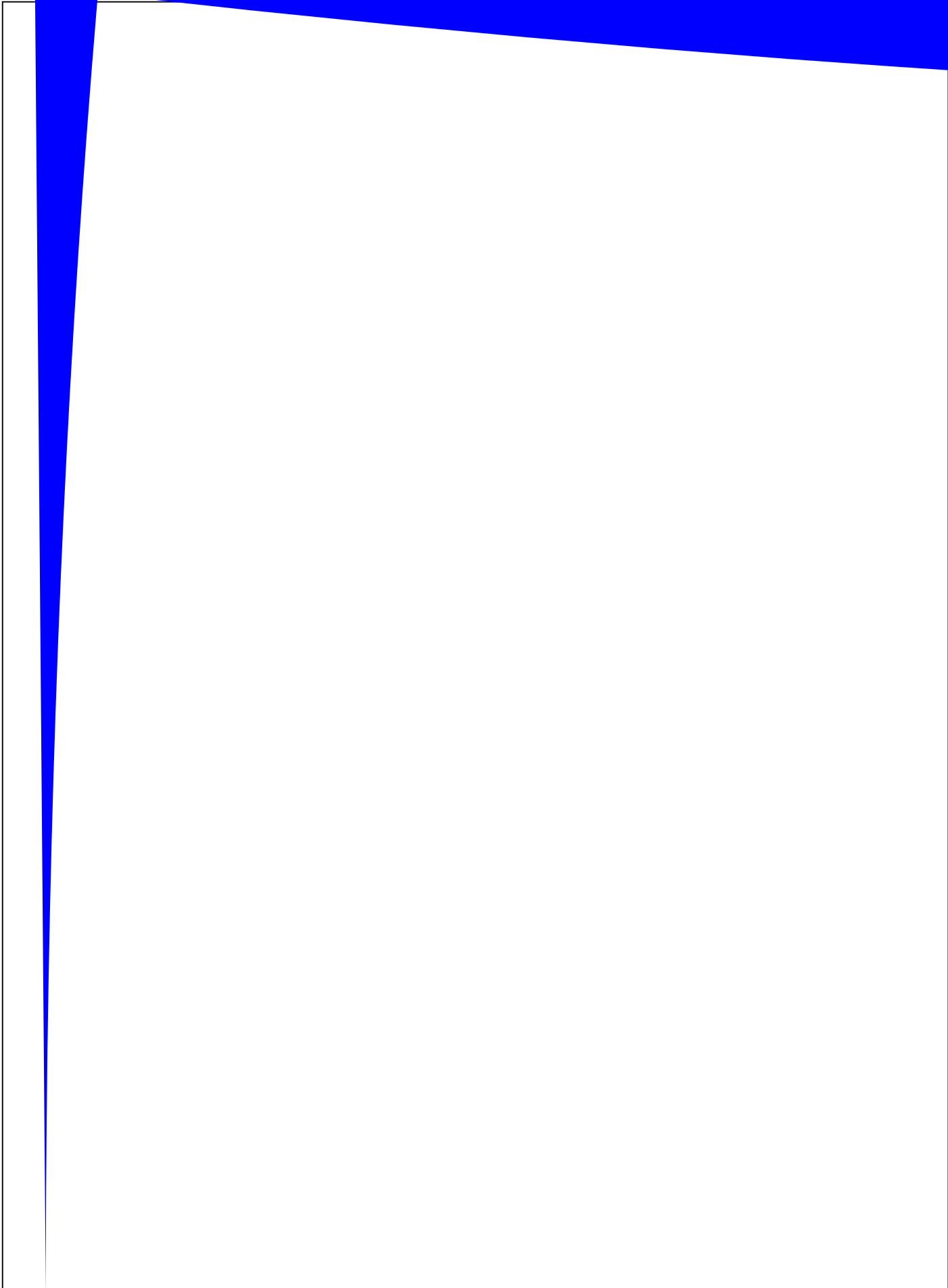
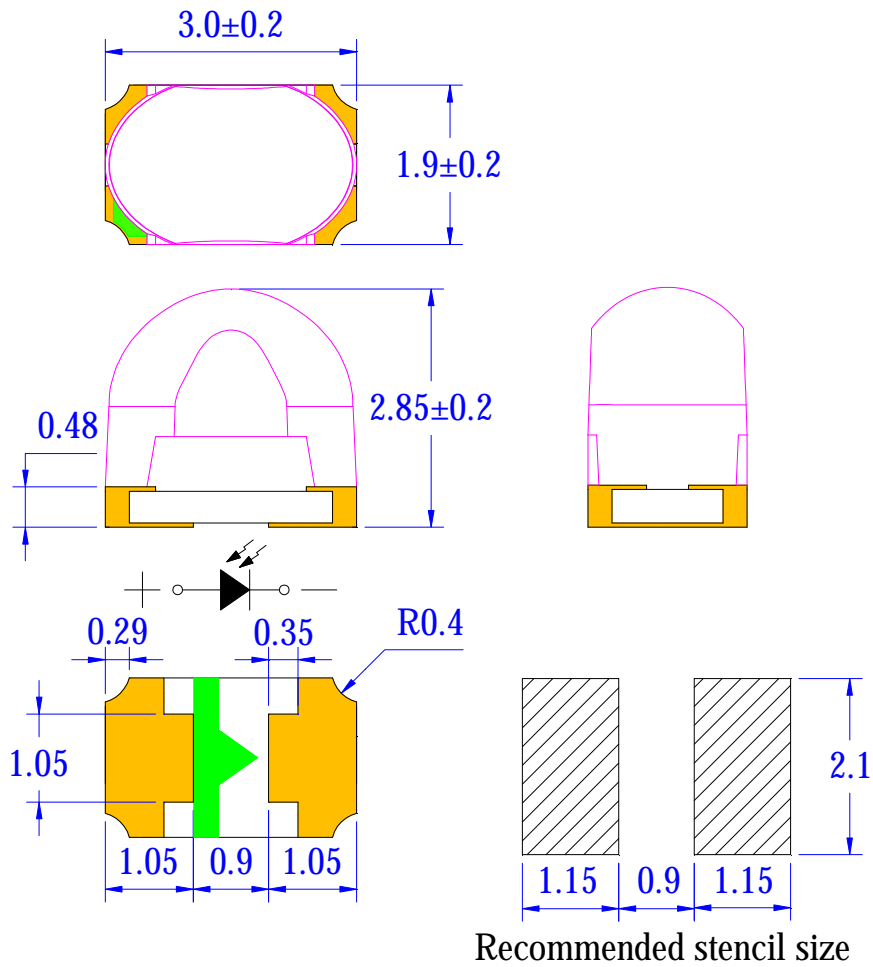


LIGH



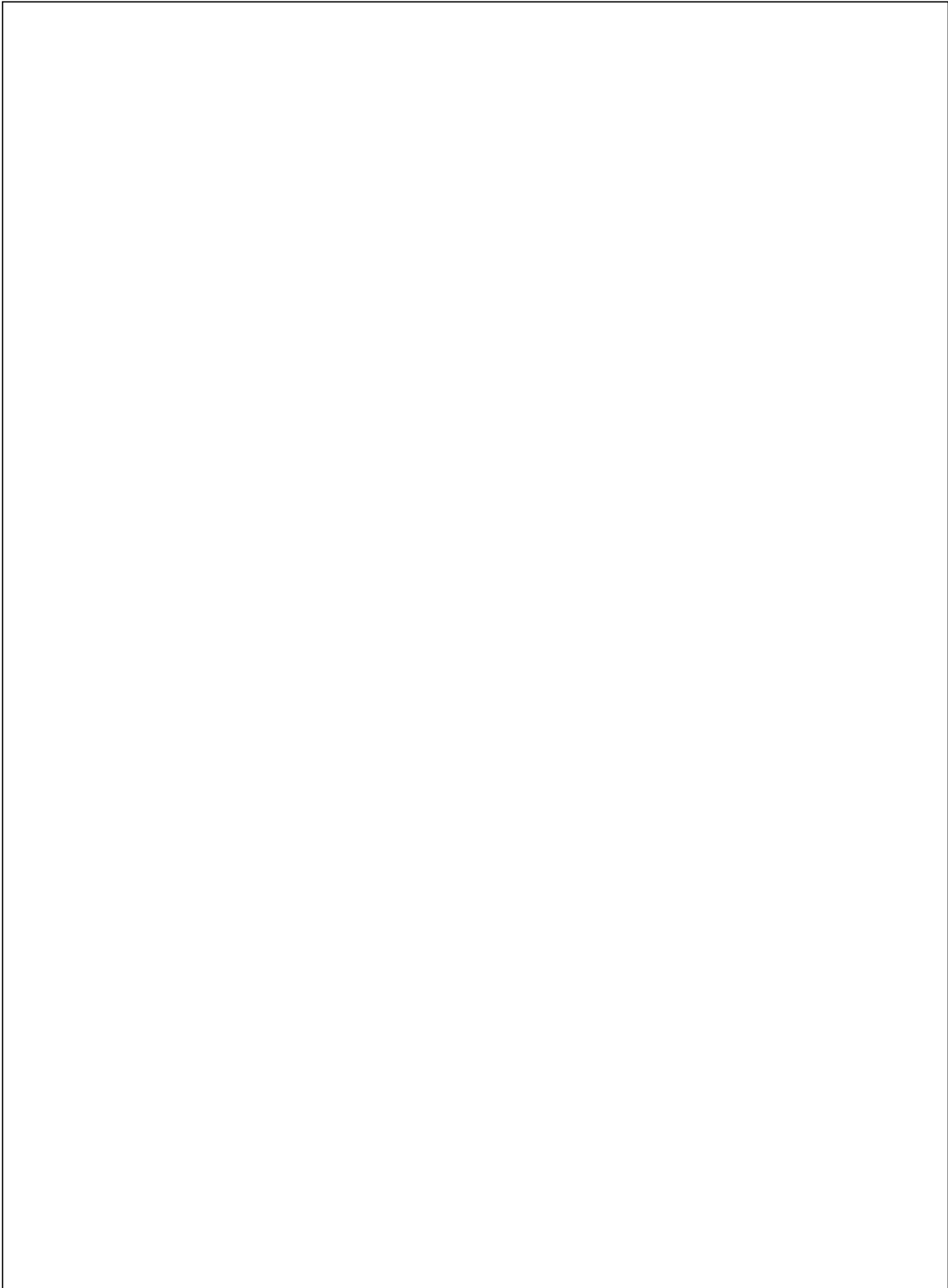
--	--	--	--

Pb free product—RoHS compliant  
 High Photo Sensitivity  
 Reliable and rugged  
 Long life – solid state reliability  
 Sensitivity angle: 90°

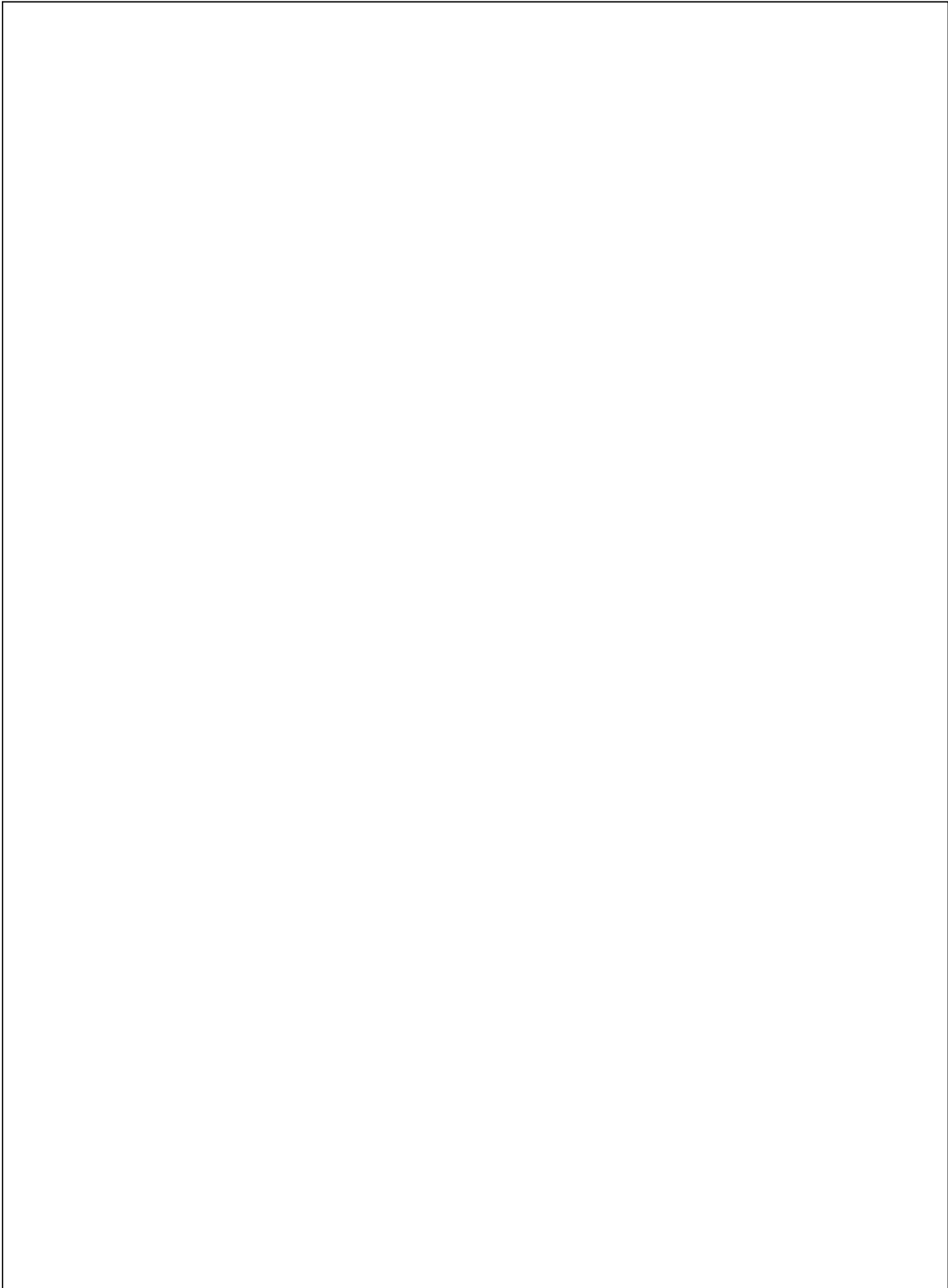


Part NO.	Chip Material	Lens Color
SL-T3020PDB020-L285-E-S	Silicon	Black

1. All dimensions are in millimeters.
2. Tolerance is  $\pm 0.10$ mm unless otherwise noted.
3. Specifications are subject to change without notice.



--	--	--	--



--	--	--	--

A

\_\_\_\_\_

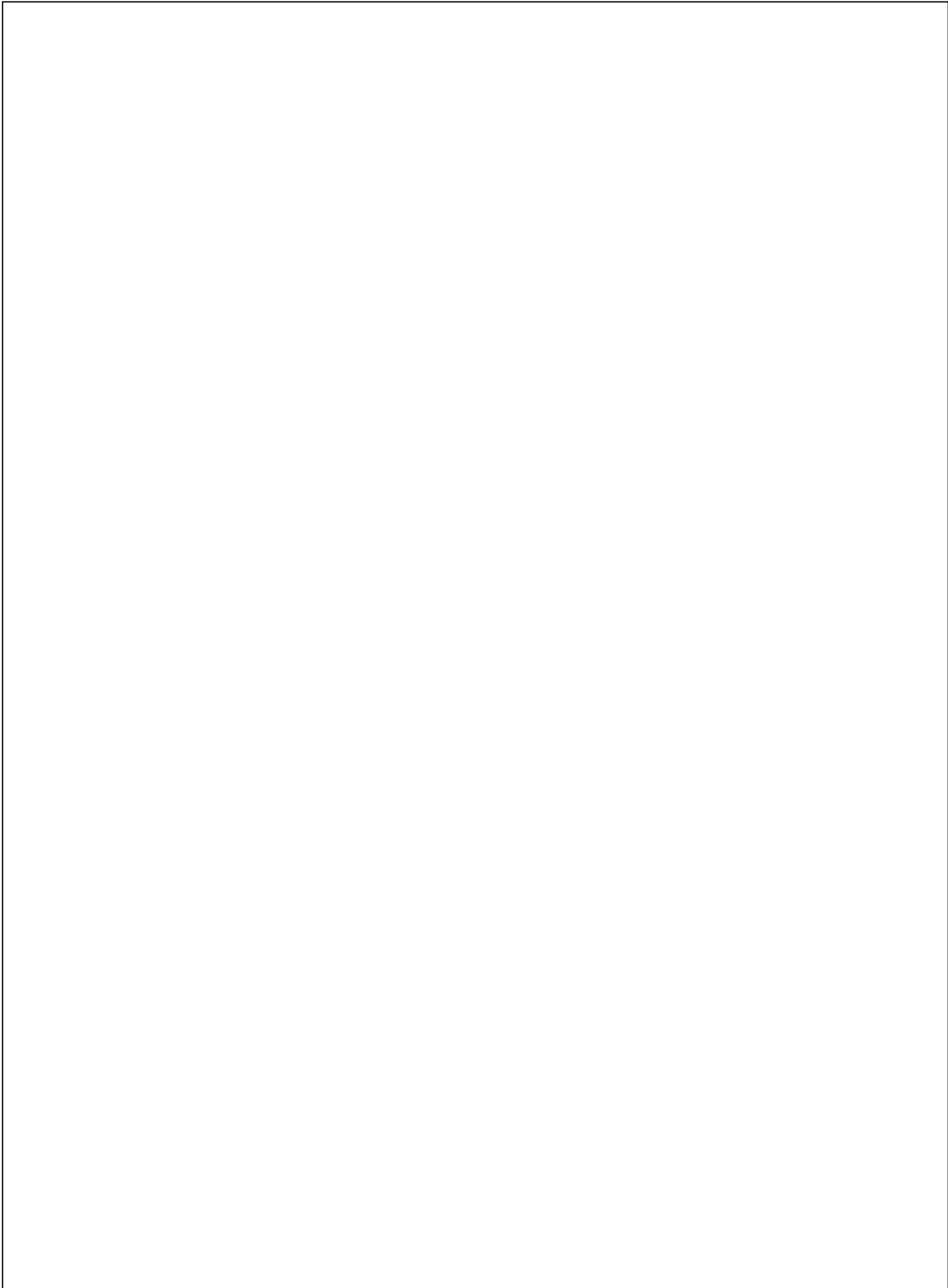
**Reverse Light Current( $I_L$ ) Bin Code ( $V_R=5V$ ,  $E_e=1mW/cm^2$ ,  $p=940nm$ )**

BIN CODE	Min.( A)	Max.( A)
29	15.5	18.5
30	18.5	22
31	22	26

The  $I_L$  guarantee should be added  $\pm 15\%$  tolerance.

LI

LIGHT ELECTRONICS CO., LTD.



--	--	--	--

## Carrier Tape Specifications (Loaded Quantity: 5000pcs/reel)

Tolerance unless mentioned is  $\pm 0.1$ mm; Unit = mm

## Moisture Resistant Packaging

--	--	--	--



LI

LIGHT ELECTRONICS CO., LTD.

