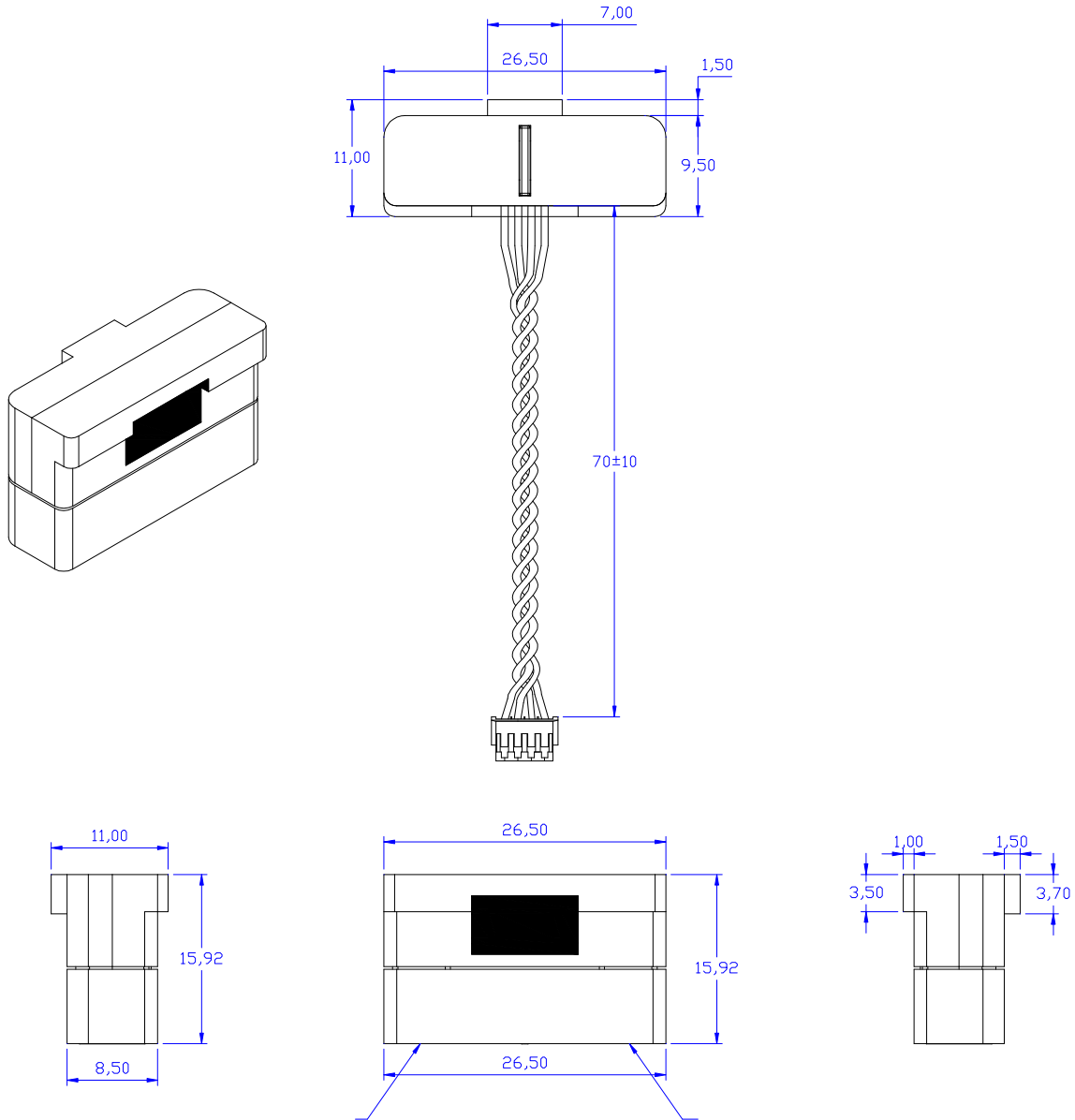
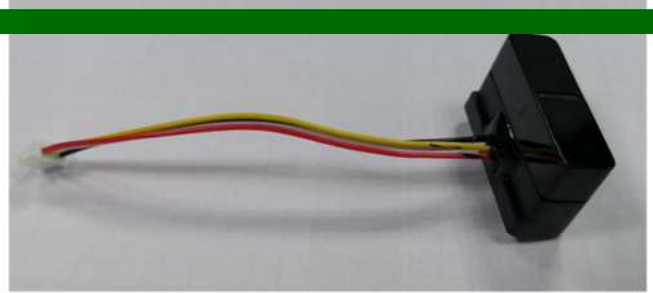



LT-GDM-02-G2

Dimensions of Module



Notes:

1. All dimensions are in millimeters.
2. Tolerance is ± 0.50 mm unless otherwise noted.
3.  The barcode is obscured by a horizontal line.
4. Specifications are subject to change without notice.

LIGHT ELECTRONICS CO., LTD.



Part No.

