

SL-T4234PTB120-L340

PHOTO TRANSISTOR

DATA SHEET

SPEC. NO. : SZ19081206
DATE : 2019/08/12
REV. : A/0

Approved By:

Checked By:

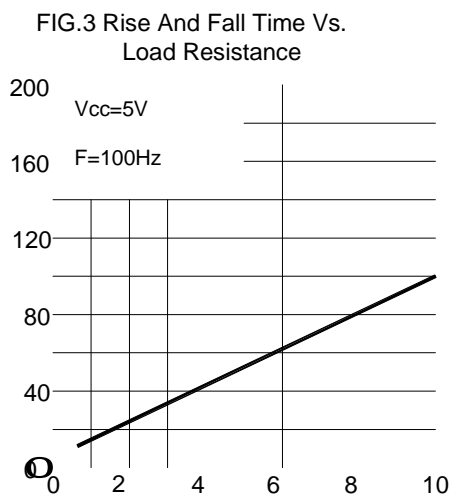
Prepared By:



Typical Electrical / Optical Characteristics Curves (25 Ambient Temperature Unless Otherwise Noted)

FIG.2 Power Dissipation Vs.
Ambient Temperature

Ambient Temperature-°C



Label Explanation

LIGHT Universal Label

LIGHT

Light Electronics CO., LTD.

MODEL NAME: _____

QUANTITY: _____

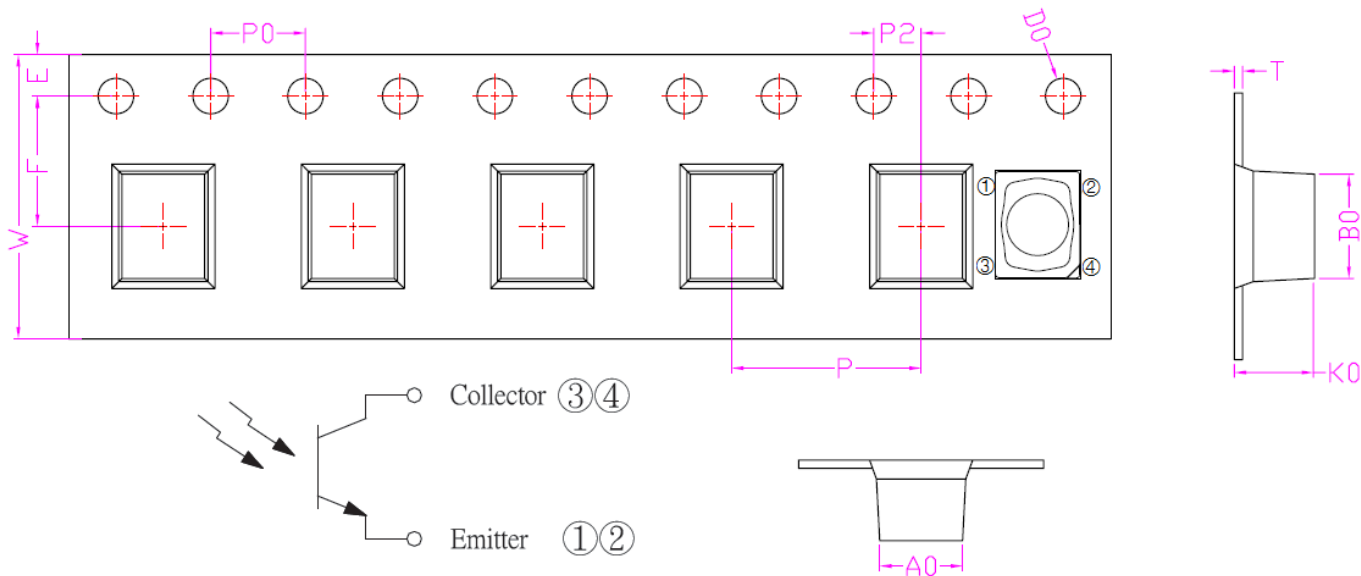
B.I.N. _____

PACKING DATE: _____

REMARKS: _____

Carrier Tape Specifications (Loaded Quantity: 2200pcs/reel)

ITEM	UNIT	MIN	MAX	REMARK



Note: Tolerance unless mentioned is ± 0.1 mm; Unit = mm

Moisture Resistant Packaging

